

Low Cost Mini-Laser-Collimator STL01K-D45

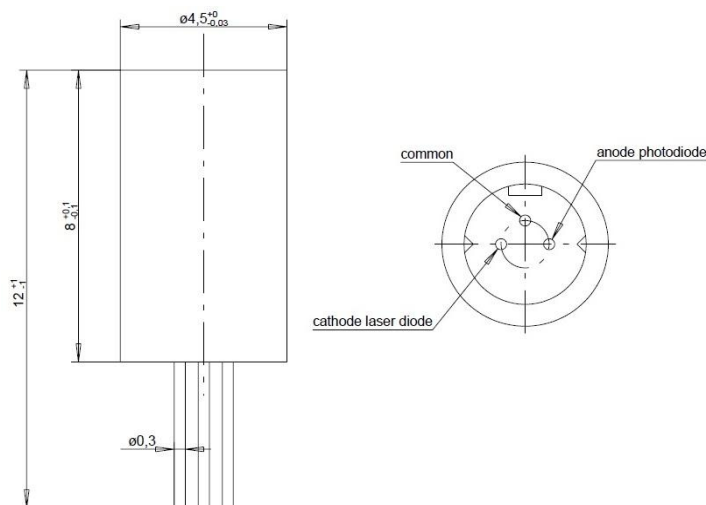
- ▶ Low Cost < 10 €
- ▶ Glass optic
- ▶ Temperature insensitive optic
- ▶ Brass case
- ▶ Application: Universal reflex sensors and sensor Barrage up to 10m distance

Mechanical Parameter	Specification	Min.	Typ.	Max.
Diameter		4.47mm		4.5mm
Length		7.9mm	8mm	8.1mm
Material	Brass			
Aperture hole			0.8mm	
Aperture	Brass			

Optical Parameter	Specification	Min.	Typ.	Max.
Laser diode	3.3mm (N-Type)			
Wavelength		645nm	650nm	660nm
Output power (LD)			7mW	
Temperature				70°C
Lens	Spheric Glass Lens			
Divergence	Beam Diameter at 5m		6.5 x 8mm	
Beam deviation	Chip Tolerance max+/-80µm	0°	0.2°	0,35°
Aperture			0.8mm	

Electric Parameter	Specification	Min.	Typ.	Max.
Threshold current			20mA	25mA
Operating current /7mW			25mA	35mA
Operating voltage			2.2V	2.5V
Monitor current /7mW		0.1mA	0.2mA	0.3mA

Temperatures	Specification	Min.	Typ.	Max.
Working Temperature	Non-condensing	-10°C		70°C
Storage temperature	Non-condensing	-40°C		85°C



Specifications are subject to change without notice.